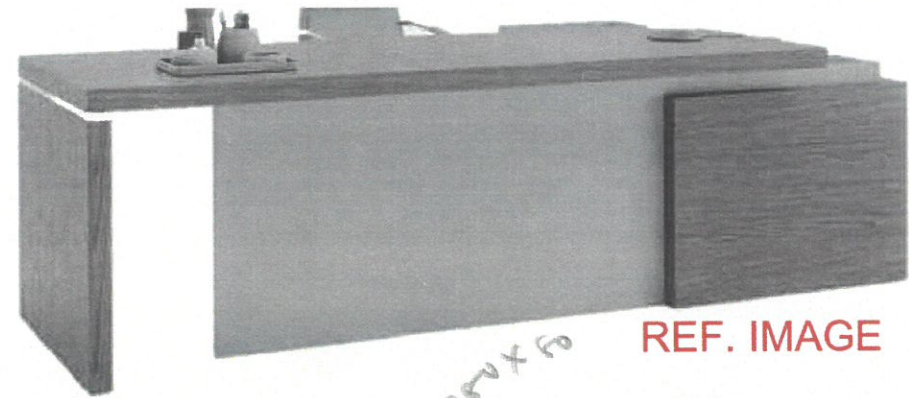


# Manager Office - 10

L-Shape Desk  
4TH Floor



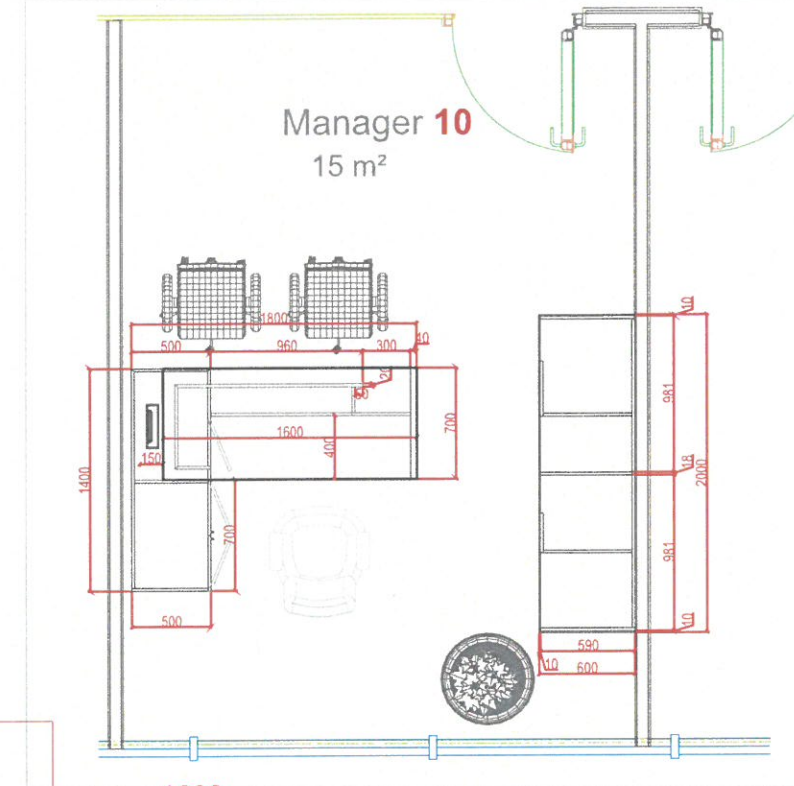
REF. IMAGE

## FINISHES

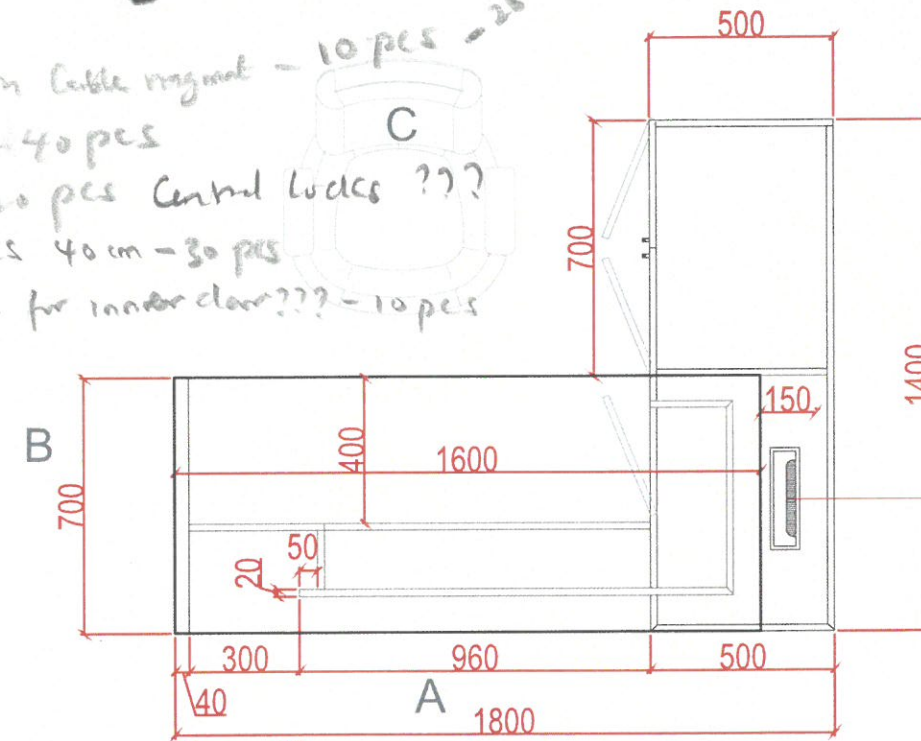
JN-02  
Starwood 310



JN-11  
Starwood 122

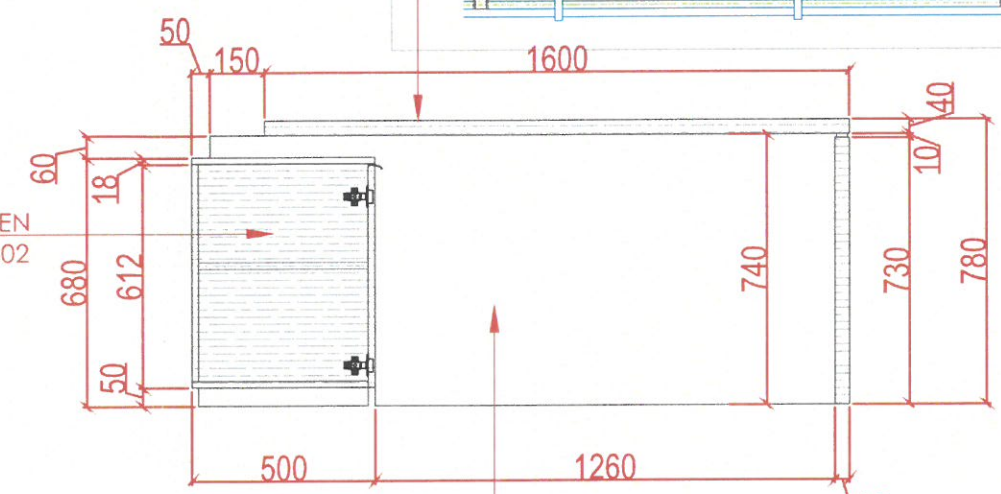


After Smarter Cable management - 10 pcs - 250x50  
Handles - 40 pcs  
Locks - 20 pcs Central Locks ???  
Drawer rails 40cm - 30 pcs  
Push to open for inner door ??? - 10 pcs



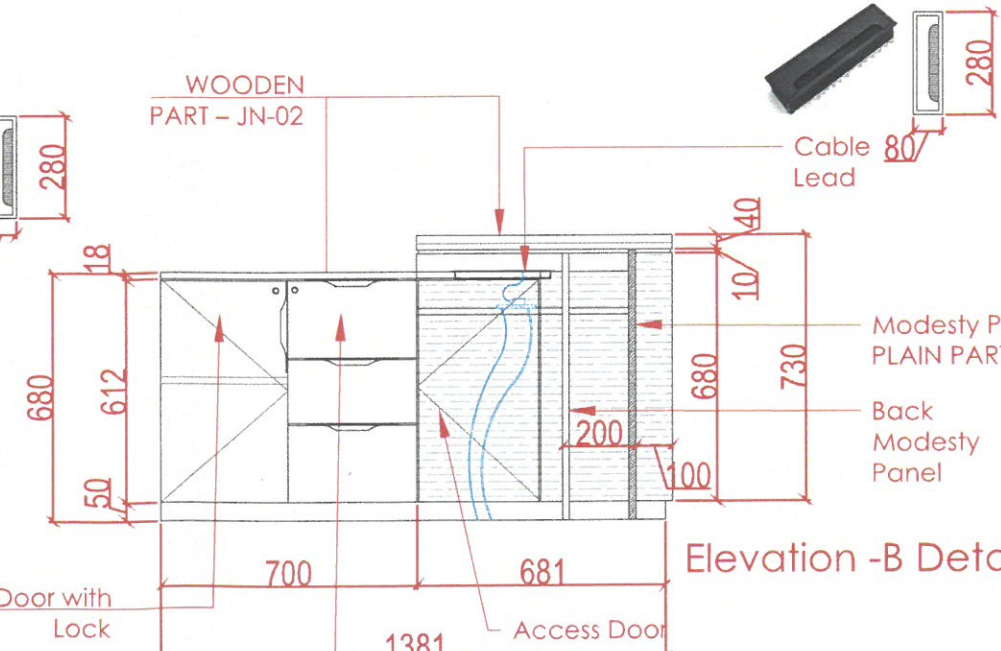
Floor Plan Details

WOODEN PART - JN-02

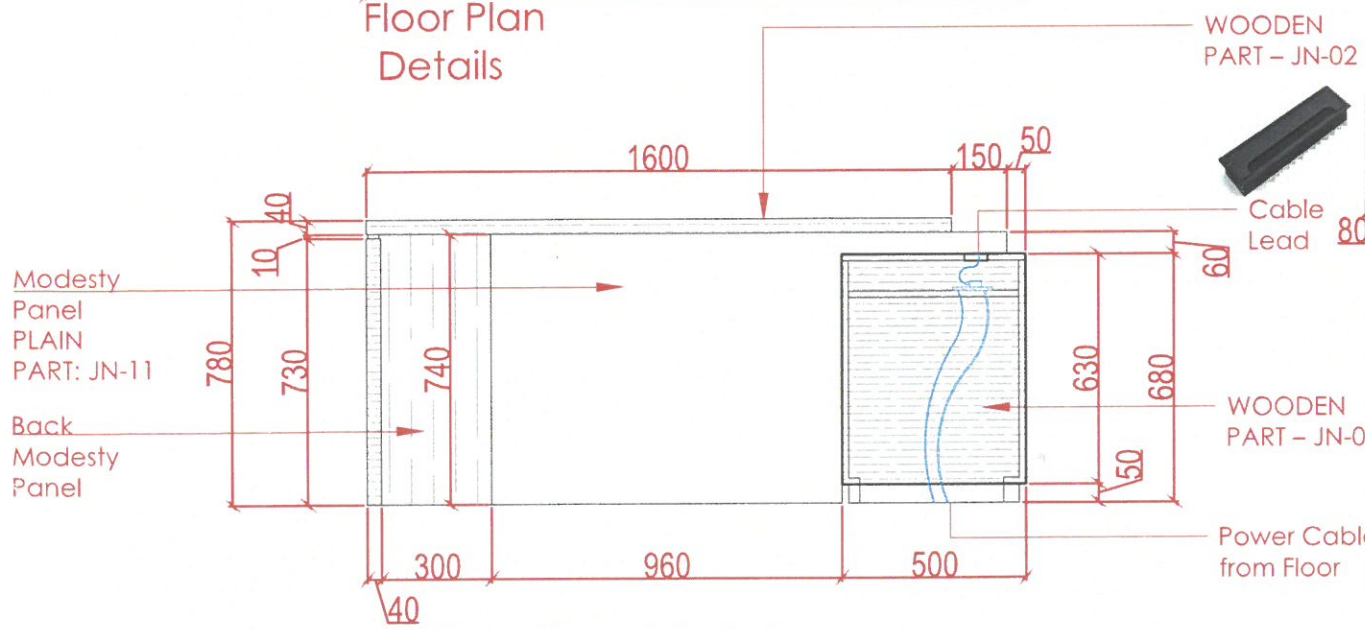


Elevation -C Details

WOODEN PART - JN-02



Elevation -B Details



Elevation -A Details



www.wood-styles.com

Copyright of designs shown herein is retained by this office. Authority is required for any reproduction. © Copyright Wood-styles Ltd.

Nigeria, Lagos +234 80 9037 9888  
Email: info@wood-styles.com



Owner

Date Description  
DSD-V1-ID-17/11/2024 - REV1  
DSD-V1-ID-27/1/2025 - REV2



FOR APPROVAL

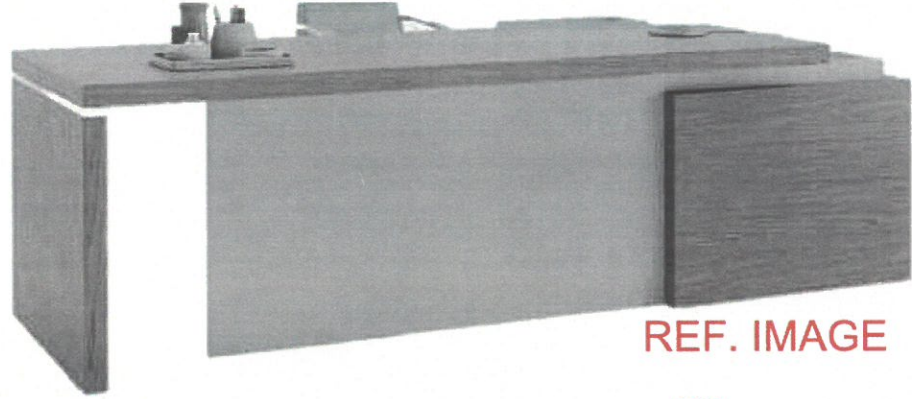
Project No. : ---  
Scale : N/A  
Drawn by : OBJ  
Checked : OBJ  
Cad File : CAD\_FILE

Sheet title  
4TH FLOOR  
Manager Office - 10  
L-Shape Desk  
Floor Plan / Elevation / Sections

Dwg No. WS-DS-SD-ND-025 No. SHEET 1

# Manager Office - 9

L-Shape Desk  
4TH Floor

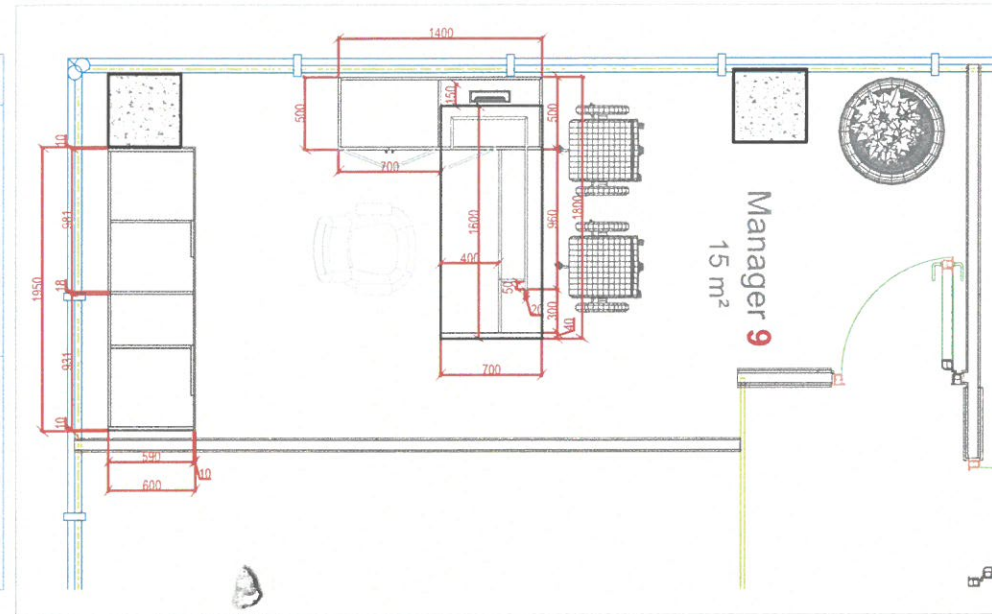


REF. IMAGE

**FINISHES**

JN-02  
Starwood 310

JN-11  
Starwood 122



www.wood-styles.com

Copyright of designs shown herein is retained by this office. Authority is required for any reproduction. © Copyright Wood-styles Ltd.

Nigeria, Lagos +234 80 9037 9888  
Email: info@wood-styles.com

Project



Owner

Date Description  
DSD-V1-ID-17/11/2024 - REV1  
DSD-V1-ID-27/11/2025 - REV2

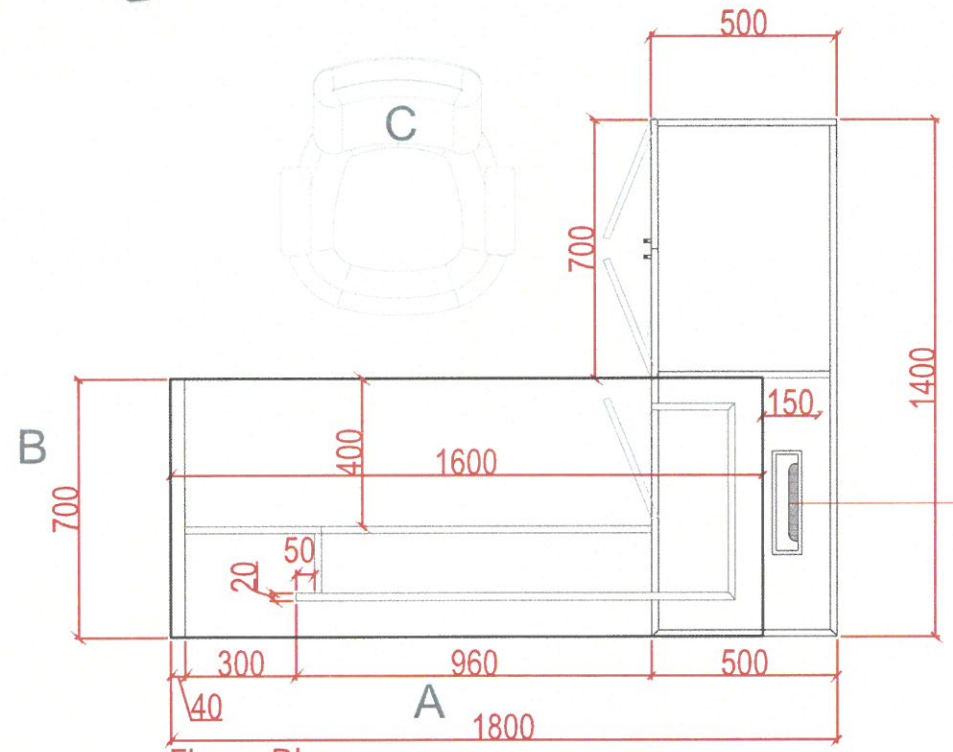


**FOR APPROVAL**

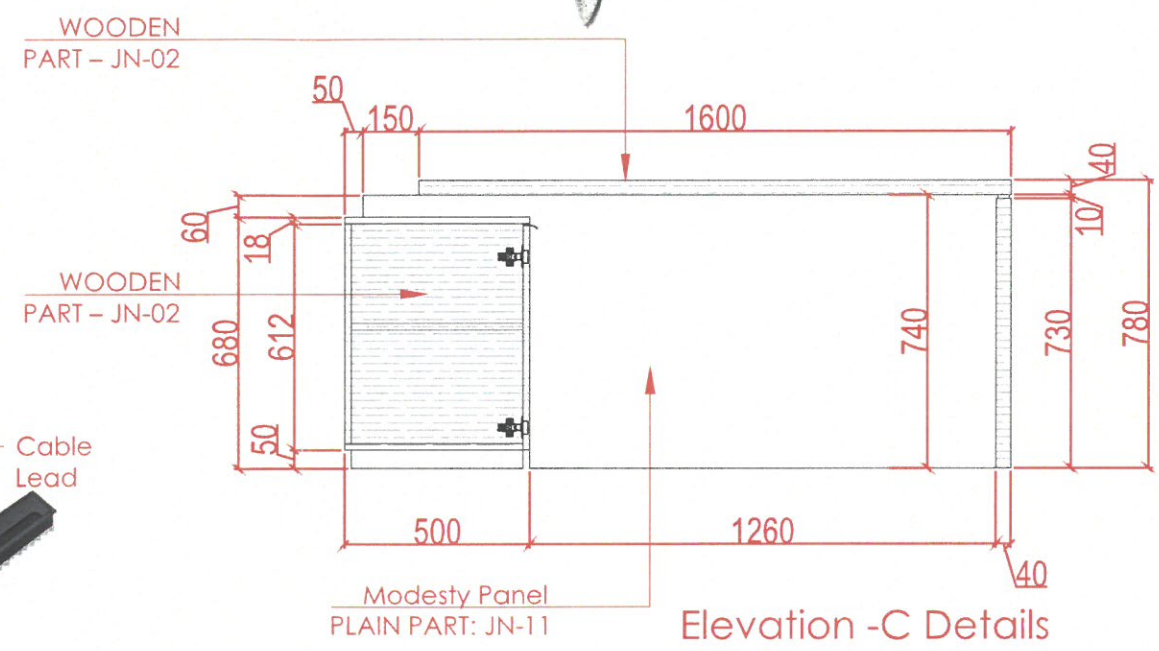
Project No. : ---  
Scale : N/A  
Drawn by : OBJ  
Checked : OBJ  
Cad File : CAD\_FILE

Sheet title  
4TH FLOOR  
Manager Office - 9  
L-Shape Desk  
Floor Plan / Elevation / Sections

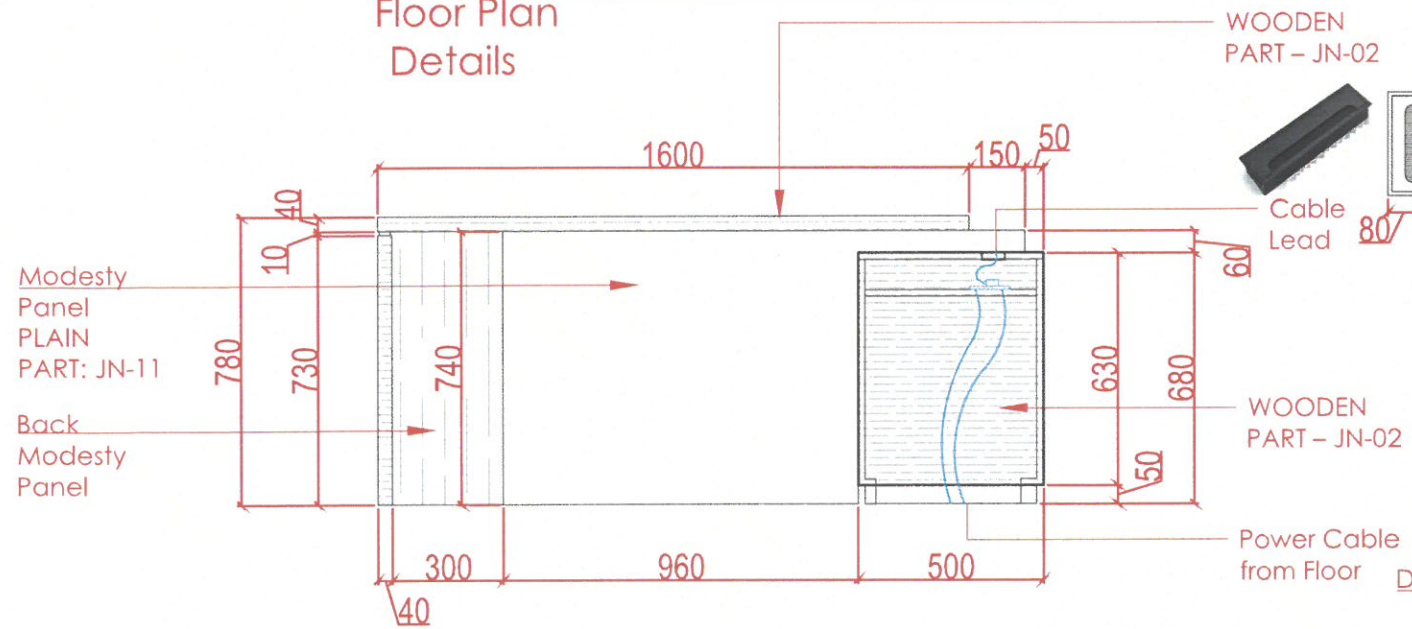
Dwg No. No.  
WS-DS-SD-ND-023 SHEET 1



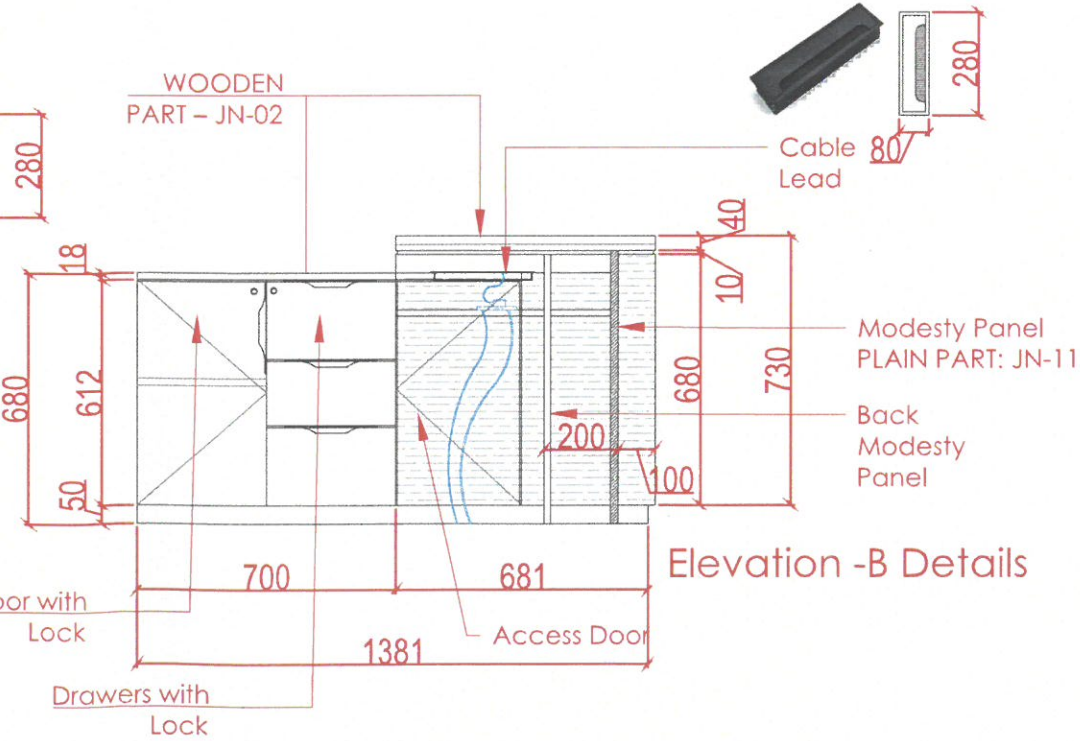
Floor Plan Details



Elevation -C Details



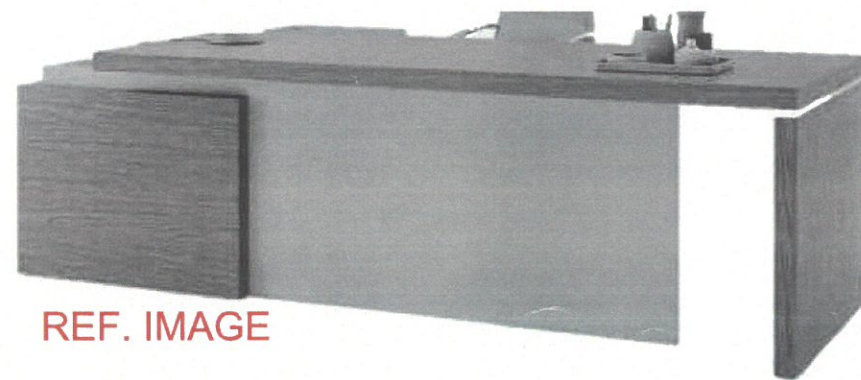
Elevation -A Details



Elevation -B Details

# Manager Office - 8

L-Shape Desk  
4TH Floor

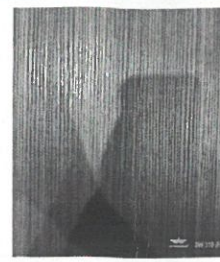


REF. IMAGE

## FINISHES

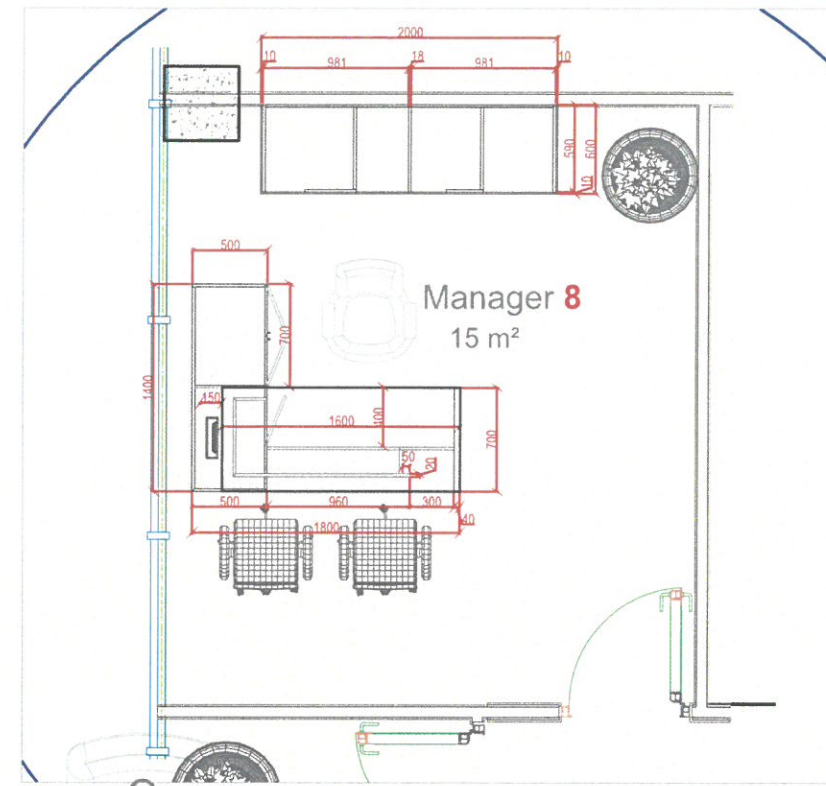
JN-02

Starwood 310



JN-11

Starwood 122



Manager 8  
15 m²



www.wood-styles.com

Copyright of designs shown herein is retained by this office. Authority is required for any reproduction. © Copyright Wood-styles Ltd.

Nigeria, Lagos +234 80 9037 9888  
Email: info@wood-styles.com

Project



Owner

Date	Description
DSD-V1-ID-17/11/2024 - REV1	
DSD-V1-ID-27/11/2025 - REV2	

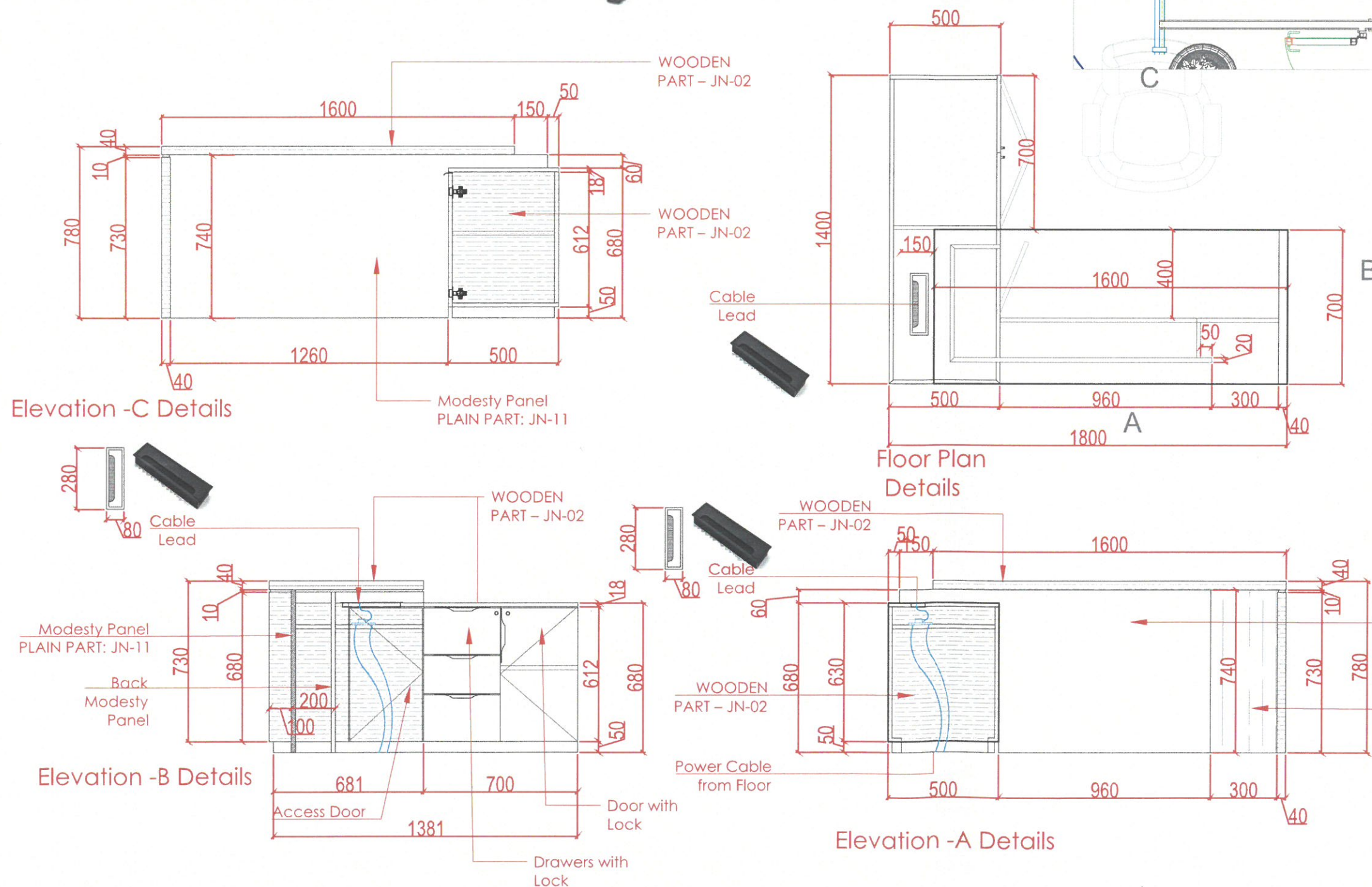


FOR APPROVAL

Project No. : ---  
Scale : N/A  
Drawn by : OBJ  
Checked : OBJ  
Cad File : CAD\_FILE

Sheet title  
4TH FLOOR  
Manager Office - 8  
L-Shape Desk  
Floor Plan / Elevation / Sections

Dwg No.	No.
WS-DS-SD-ND-021	SHEET 1



Elevation -C Details

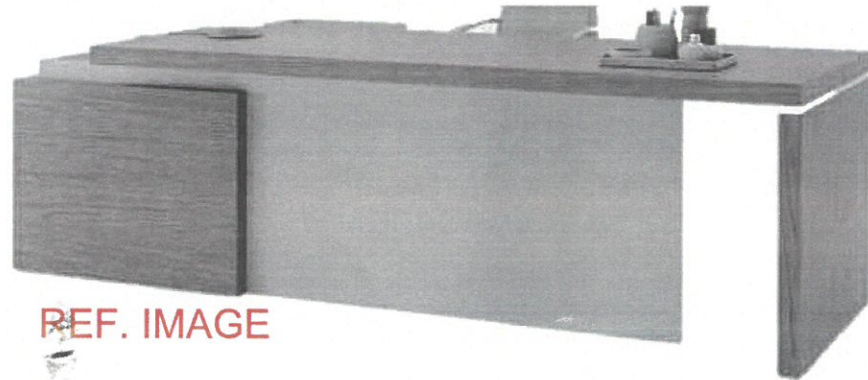
Elevation -B Details

Floor Plan Details

Elevation -A Details


# Manager Office - 7

L-Shape Desk  
3rd Floor


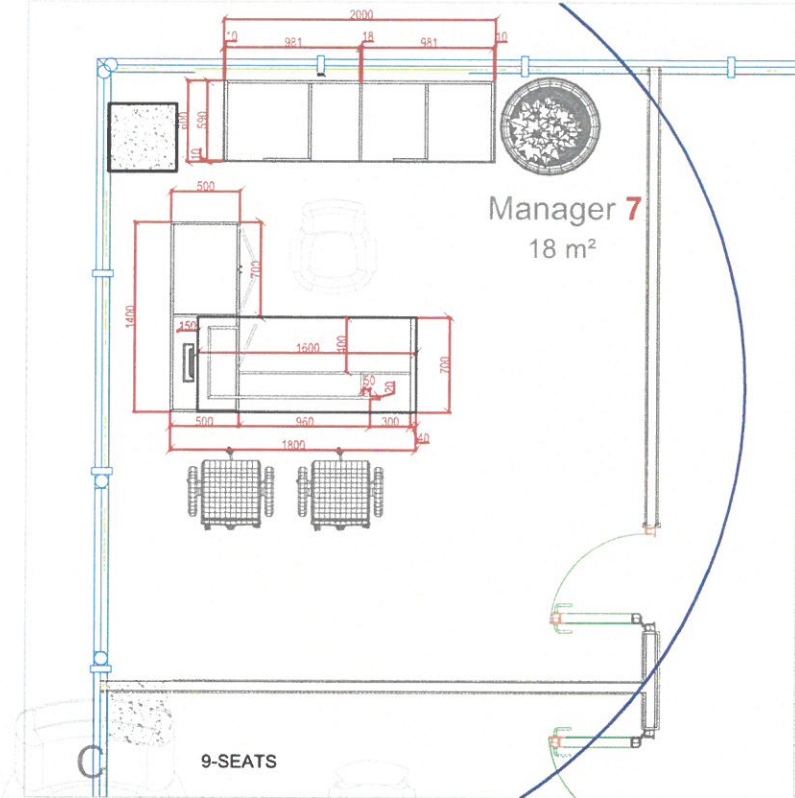


### FINISHES

JN-02  
Starwood 310



JN-11  
Starwood 122

www.wood-styles.com

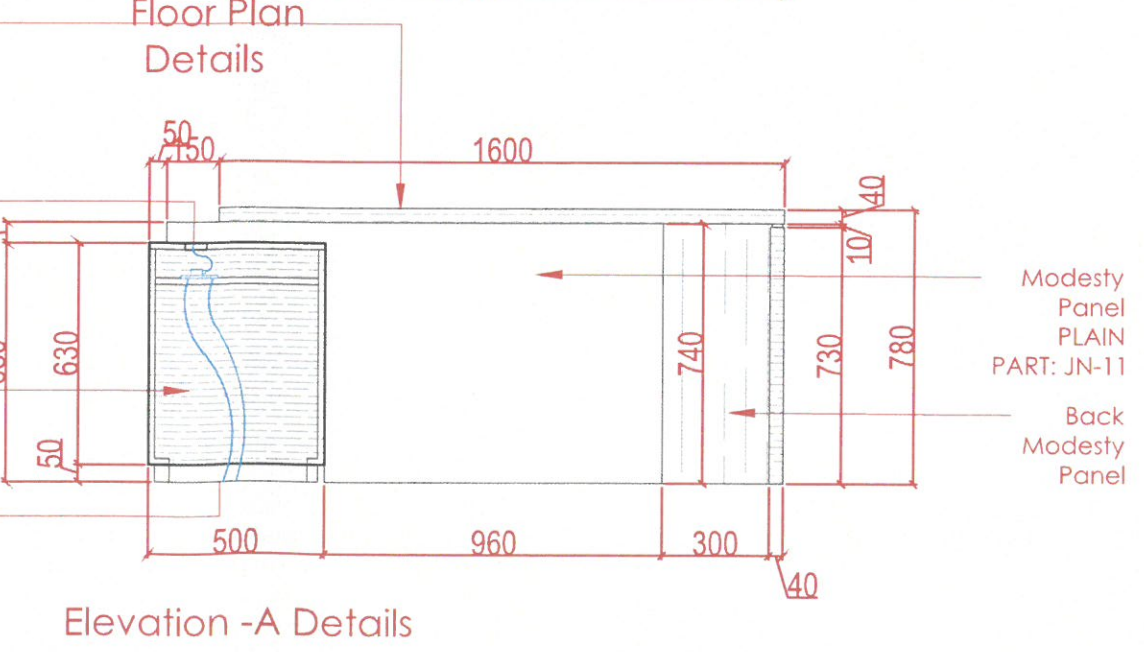
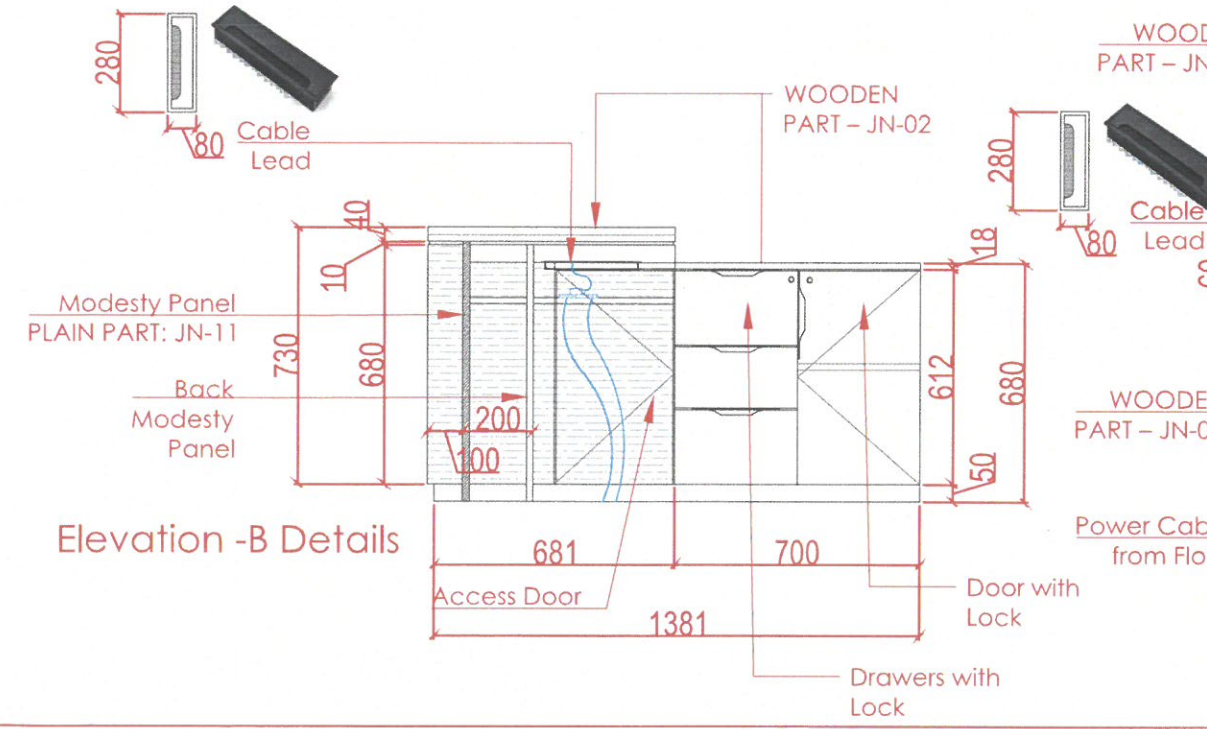
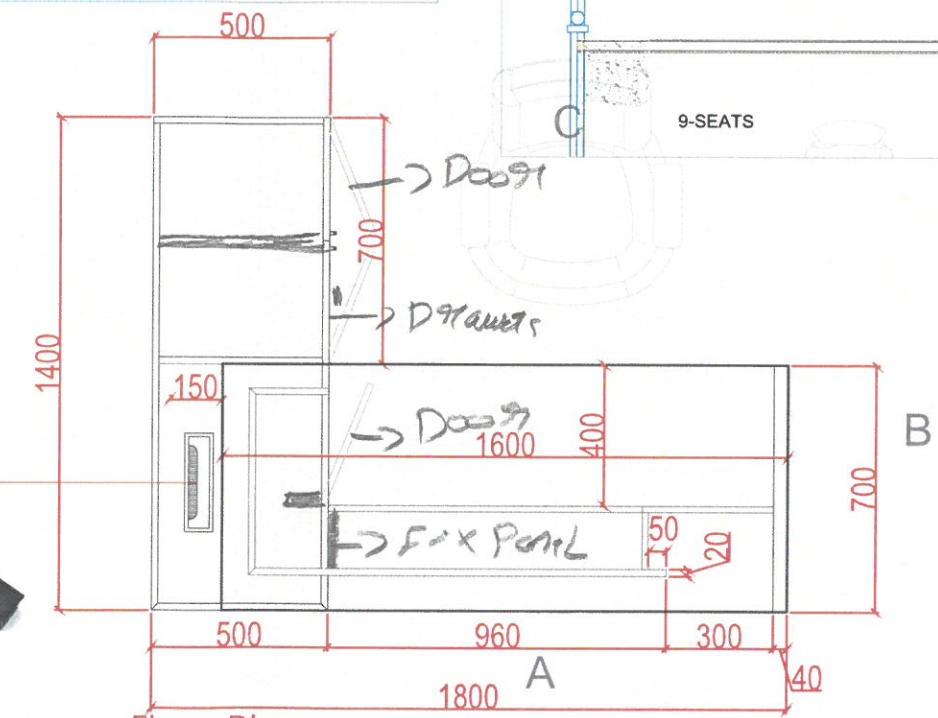
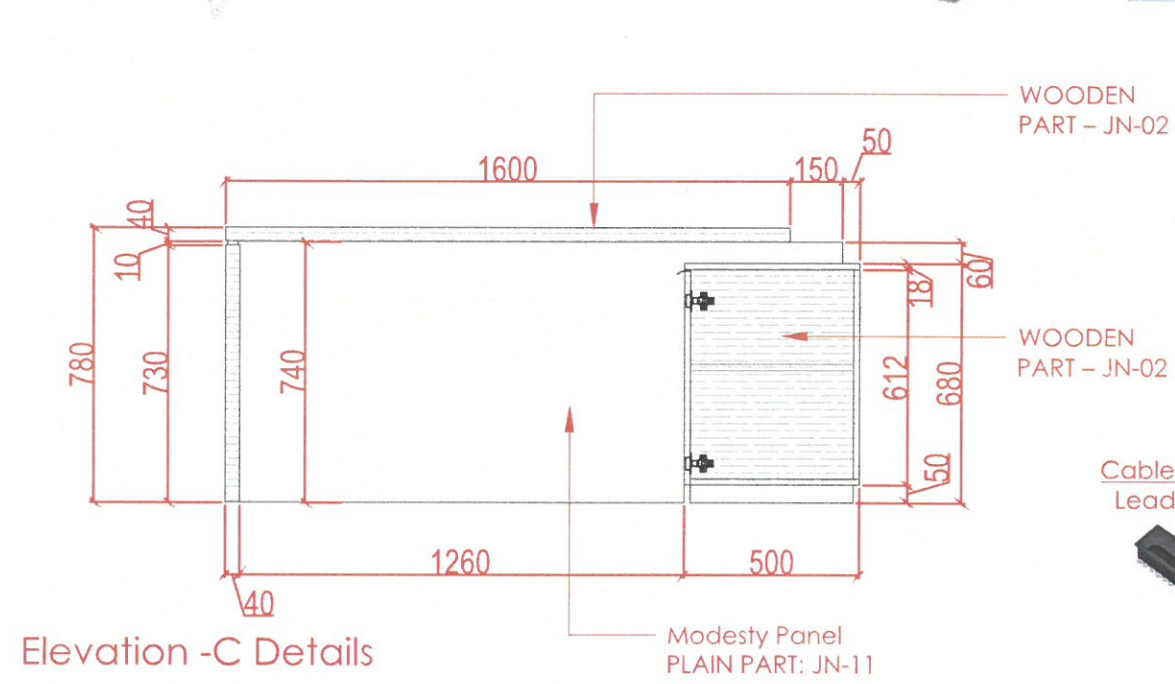
Copyright of designs shown herein is retained by this office. Authority is required for any reproduction. © Copyright Wood-styles Ltd.

Nigeria, Lagos +234 80 9037 9888  
Email: info@wood-styles.com



Project: ---  
Owner: ---

Date	Description
DSD-V1-ID-17/11/2024 - REV1	
DSD-V1-ID-27/1/2025 - REV2	



FOR APPROVAL

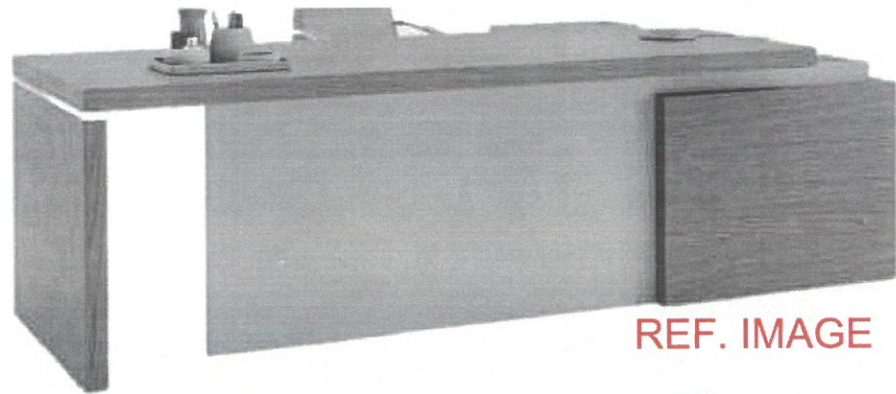
Project No. : ---  
Scale : N/A  
Drawn by : OBJ  
Checked : OBJ  
Cad File : CAD\_FILE

Sheet title  
3rd FLOOR  
Manager Office - 7  
L-Shape Desk  
Floor Plan / Elevation / Sections

Dwg No.	No.
WS-DS-SD-ND-019	SHEET 1

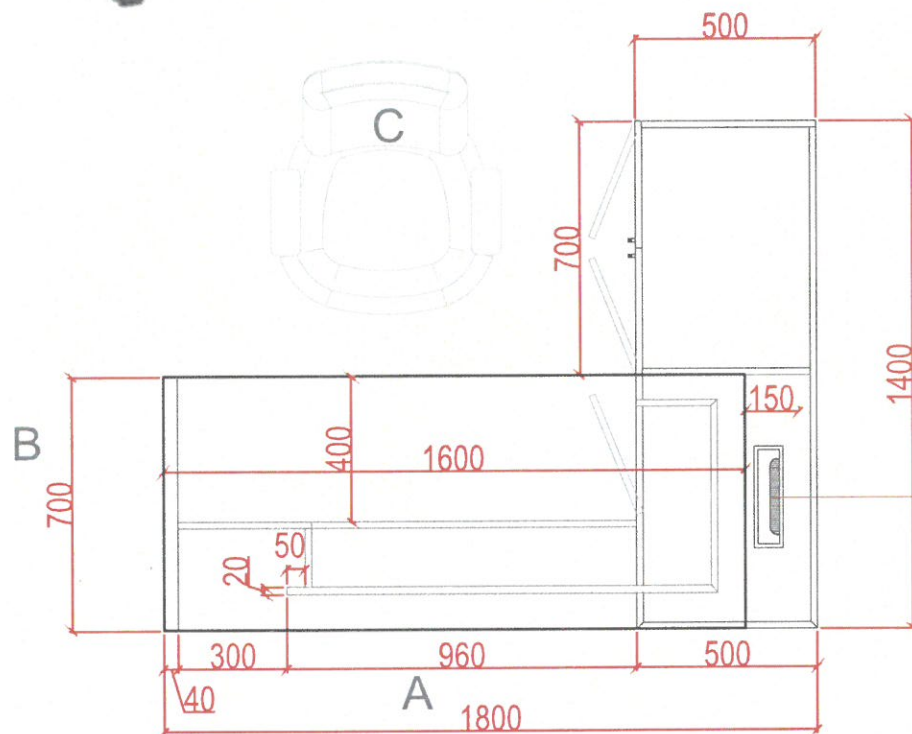
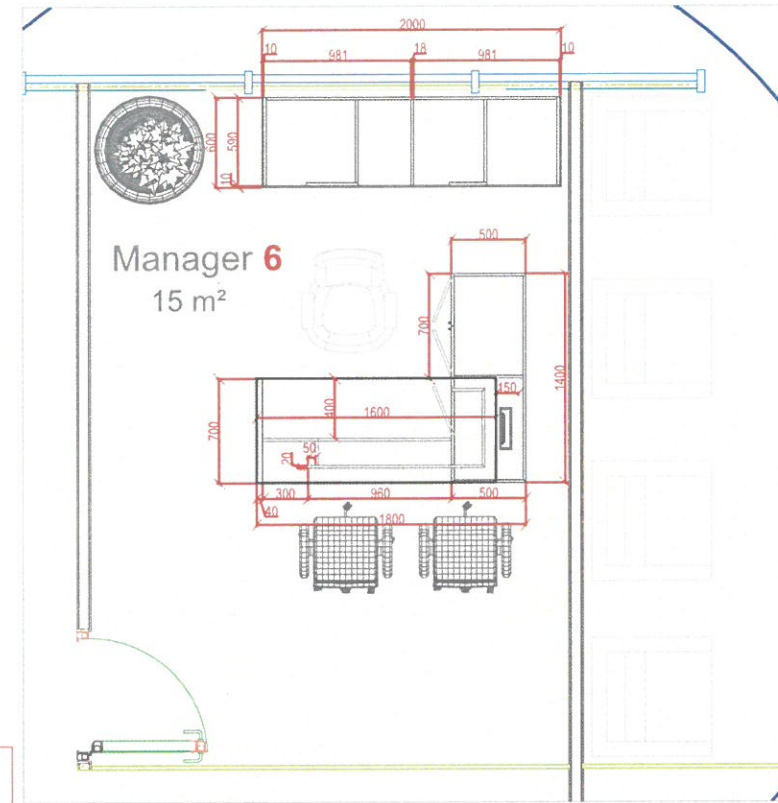
# Manager Office - 6

L-Shape Desk  
3rd Floor



REF. IMAGE

FINISHES	
JN-02 Starwood 310	
JN-11 Starwood 122	



WOODEN PART - JN-02

WOODEN PART - JN-02

WOODEN PART - JN-02

WOODEN PART - JN-02

WOODEN PART - JN-02

WOODEN PART - JN-02

WOODEN PART - JN-02

Cable Lead

Cable Lead

Power Cable from Floor

Door with Lock

Modesty Panel  
PLAIN PART: JN-11

Elevation -C Details

Cable Lead

Cable Lead

Modesty Panel  
PLAIN PART: JN-11

Back Modesty Panel

Elevation -B Details

Drawers with Lock

Access Door



www.wood-styles.com

Copyright of designs shown herein is retained by this office. Authority is required for any reproduction. © Copyright Wood-styles Ltd.

Nigeria, Lagos +234 80 9037 9888

Email: info@wood-styles.com

Project



Owner

Date Description

DSD-V1-ID-17/11/2024 - REV1

DSD-V1-ID-27/1/2025 - REV2

FOR APPROVAL

Project No. : ---

Scale : N/A

Drawn by : OBJ

Checked : OBJ

Cad File : CAD\_FILE

Sheet title

3rd FLOOR

Manager Office - 6

L-Shape Desk

Floor Plan / Elevation /Sections

Dwg No.

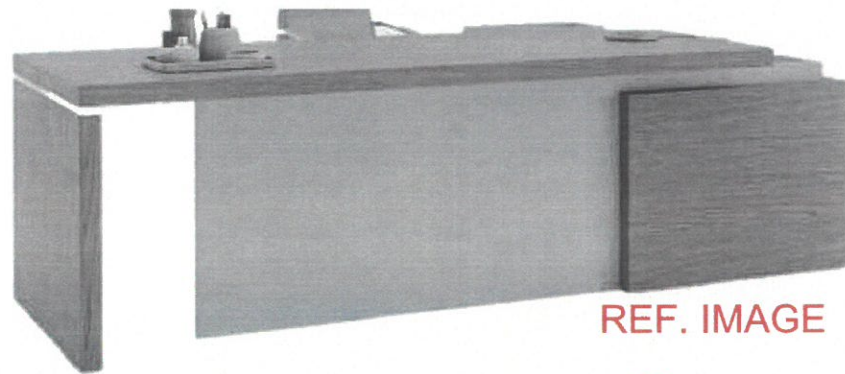
WS-DS-SD-ND-017

No.

SHEET 1

# Manager Office - 5

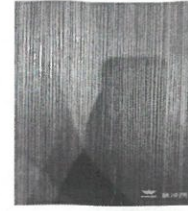
L-Shape Desk  
3rd Floor



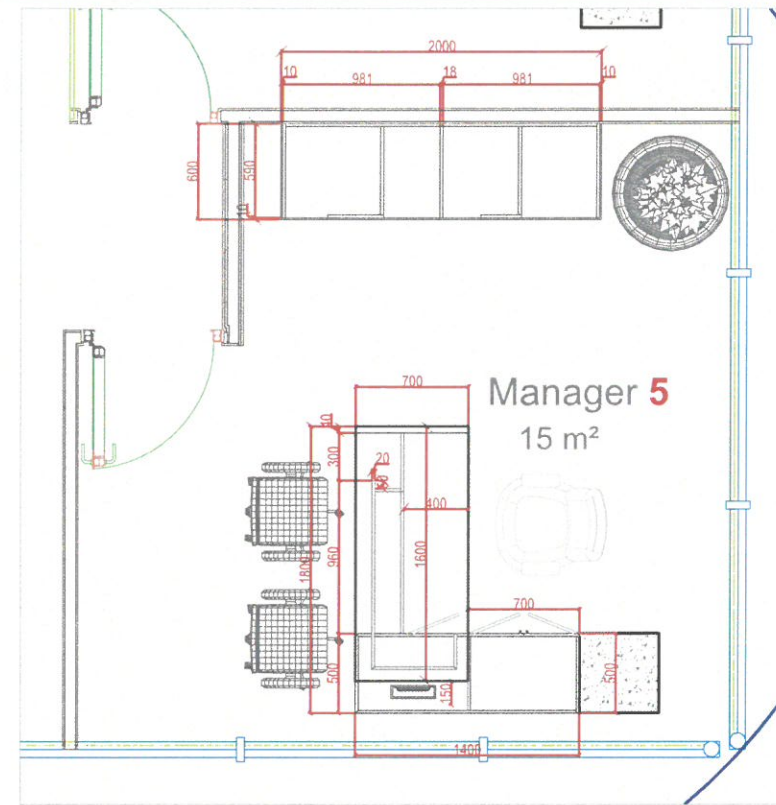
REF. IMAGE

## FINISHES

JN-02  
Starwood 310



JN-11  
Starwood 122



Manager 5  
15 m<sup>2</sup>



www.wood-styles.com

Copyright of designs shown herein is retained by this office. Authority is required for any reproduction. © Copyright Wood-styles Ltd.

Nigeria, Lagos +234 80 9037 9888

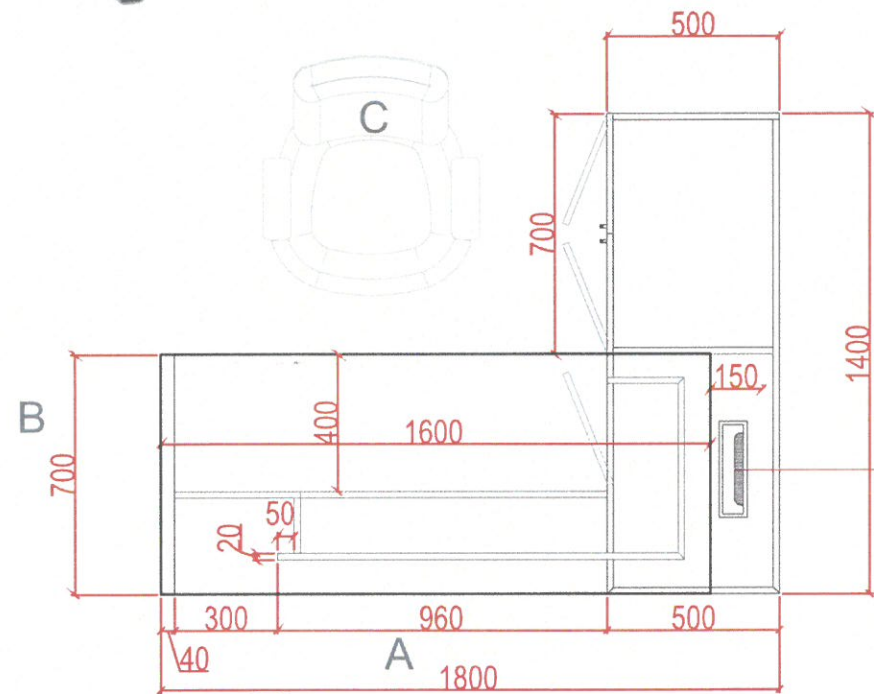
Email: info@wood-styles.com

Project



Owner

Date	Description
DSD-V1-ID-17/11/2024	- REV1
DSD-V1-ID-27/1/2025	- REV2



Floor Plan Details

WOODEN PART - JN-02

WOODEN PART - JN-02

WOODEN PART - JN-02

WOODEN PART - JN-02

Modesty Panel  
PLAIN  
PART: JN-11

Back  
Modesty  
Panel

Cable Lead

WOODEN PART - JN-02

Power Cable  
from Floor

Door with  
Lock

Drawers with  
Lock

Cable Lead

Modesty Panel  
PLAIN PART: JN-11

Back  
Modesty  
Panel

Cable Lead

Elevation -B Details

Elevation -C Details

Elevation -A Details

FOR APPROVAL

Project No. : ---  
Scale : N/A  
Drawn by : OBJ  
Checked : OBJ  
Cad File : CAD\_FILE

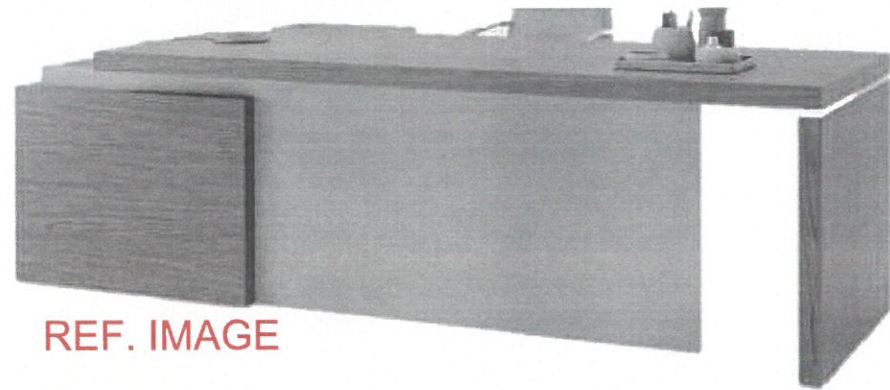
Sheet title  
3rd FLOOR  
Manager Office - 5  
L-Shape Desk

Floor Plan / Elevation /Sections

Dwg No. WS-DS-SD-ND-015	No. SHEET 1
----------------------------	----------------

# Manager Office - 4

L-Shape Desk  
3rd Floor

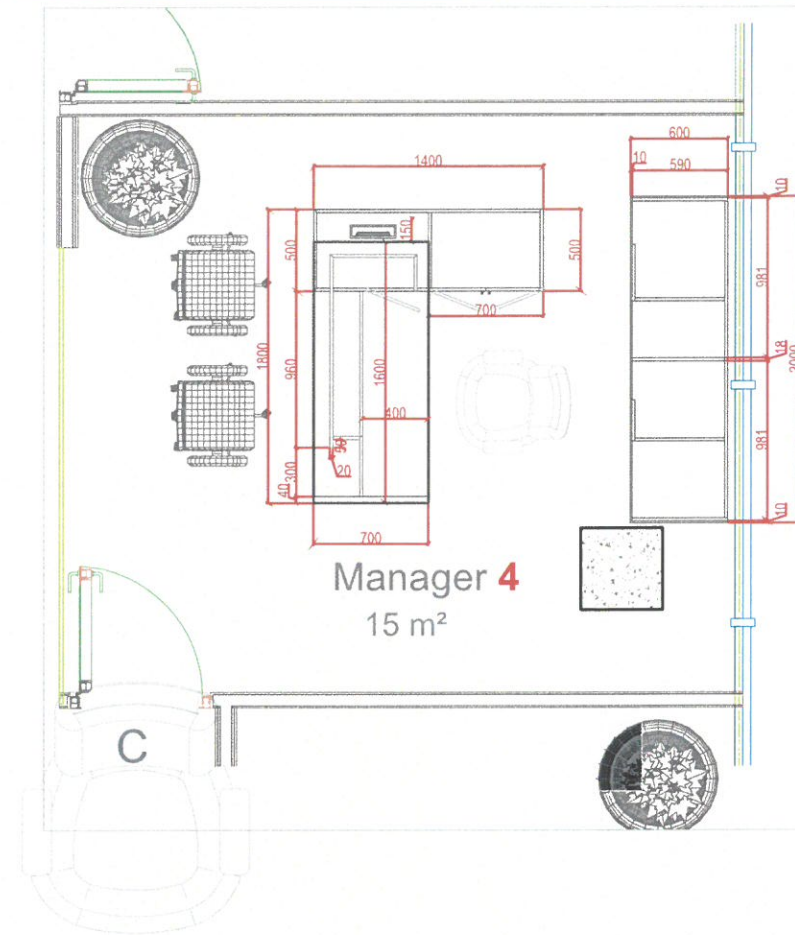


## FINISHES

JN-02  
Starwood 310



JN-11  
Starwood 122



Manager 4  
15 m<sup>2</sup>



www.wood-styles.com

Copyright of designs shown herein is retained by this office. Authority is required for any reproduction. © Copyright Wood-styles Ltd.

Nigeria, Lagos +234 80 9037 9888

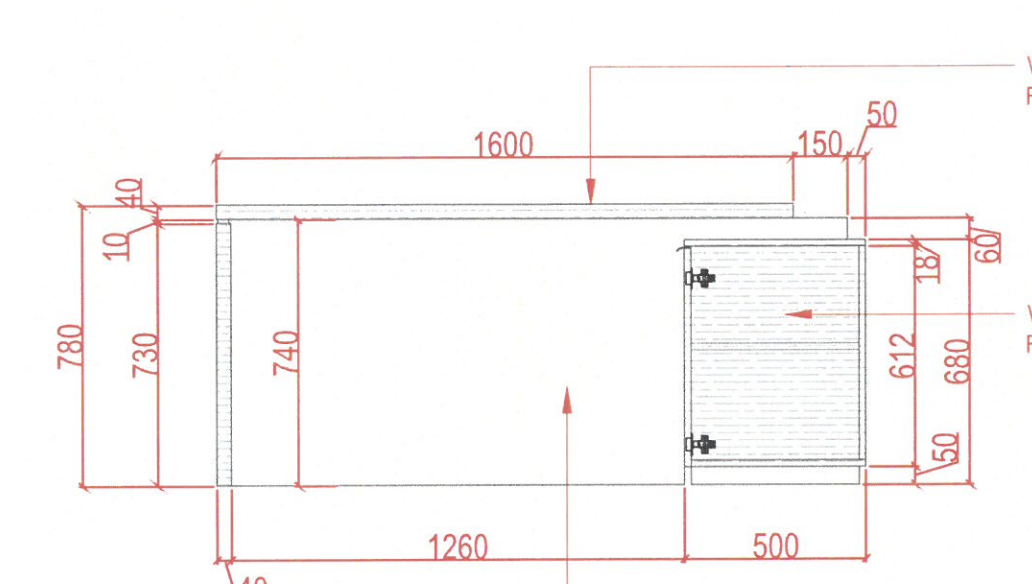
Email: info@wood-styles.com

Project

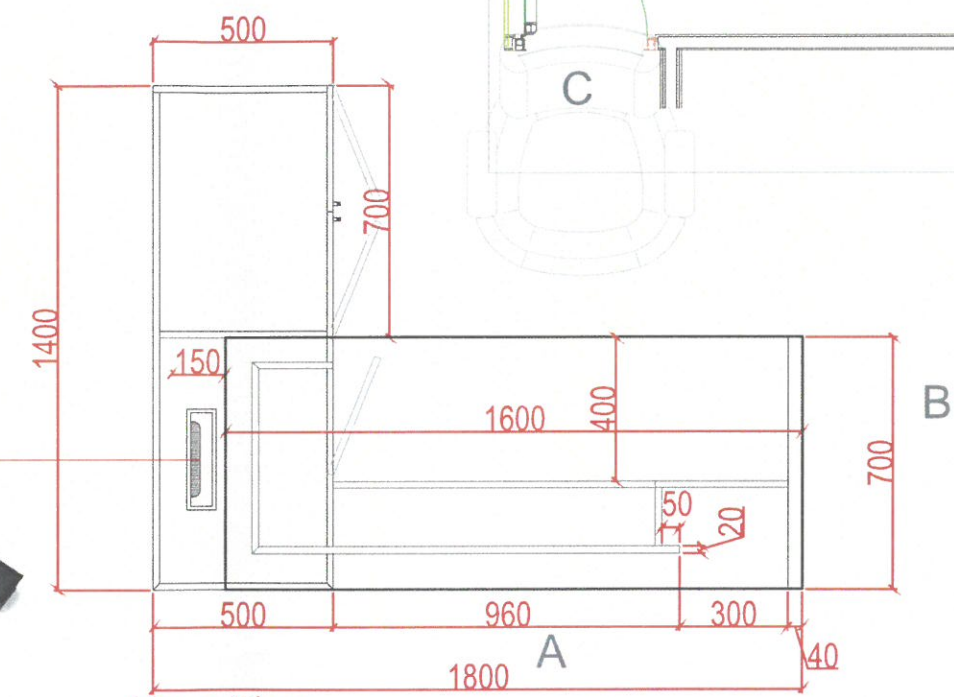


Owner

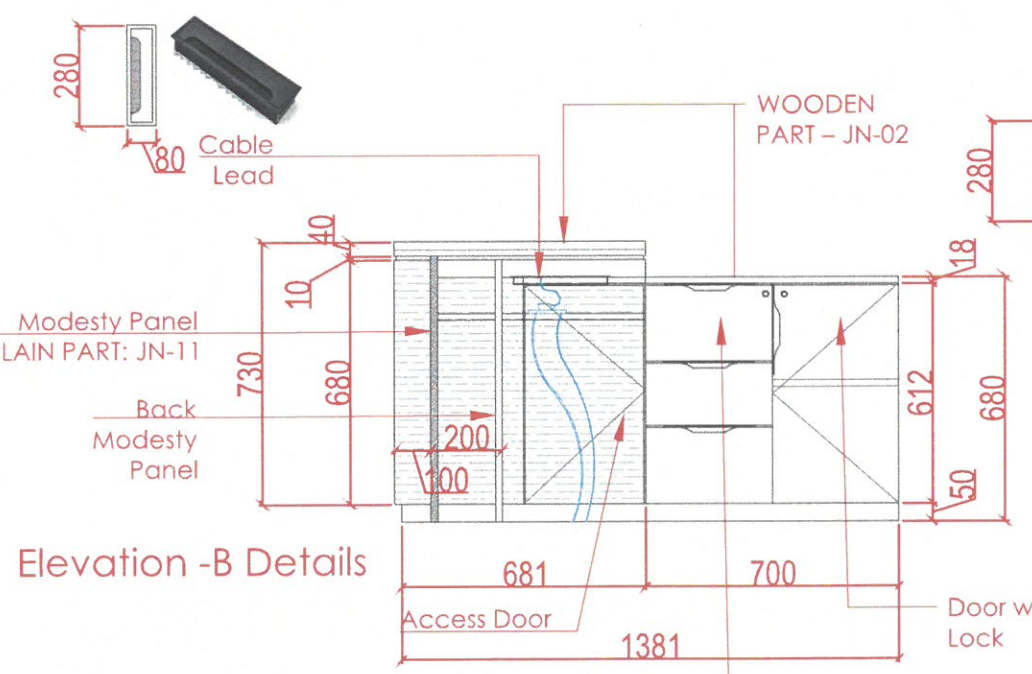
Date	Description
DSD-V1-ID-17/11/2024 - REV1	
DSD-V1-ID-27/1/2025 - REV2	



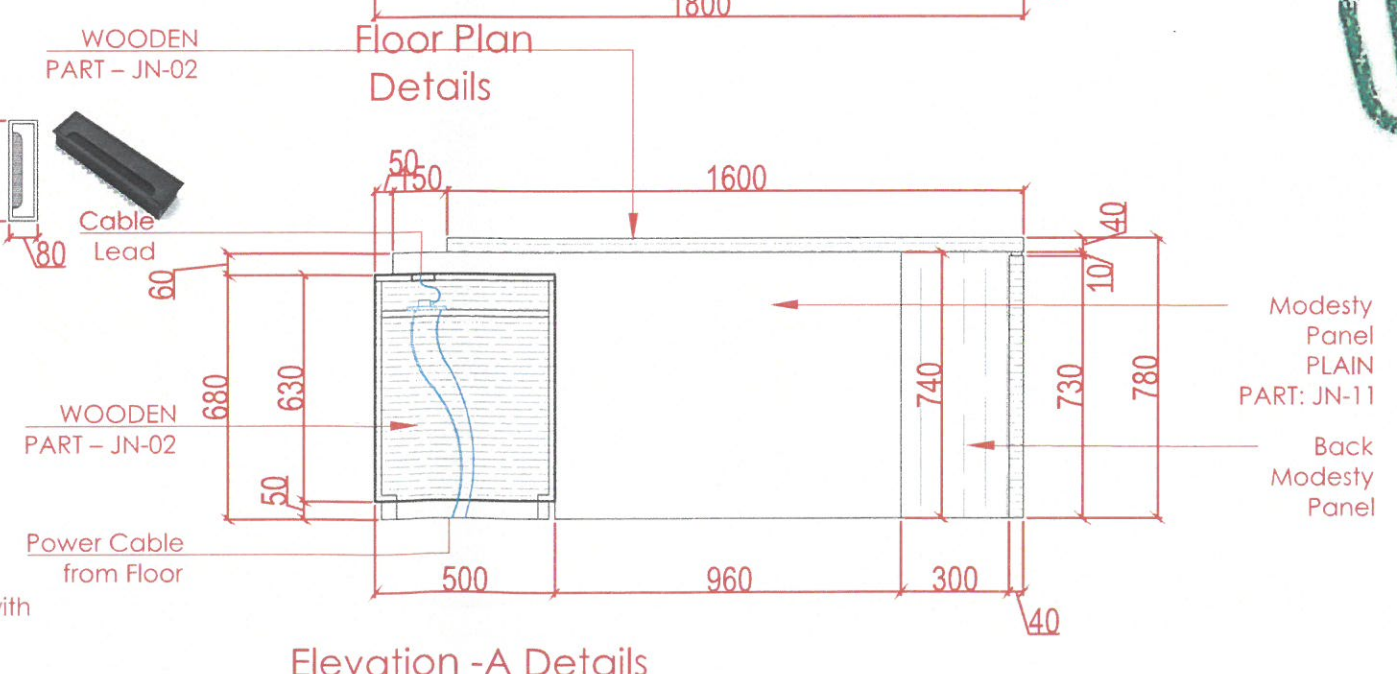
Elevation -C Details



Floor Plan Details



Elevation -B Details



Elevation -A Details

FOR APPROVAL

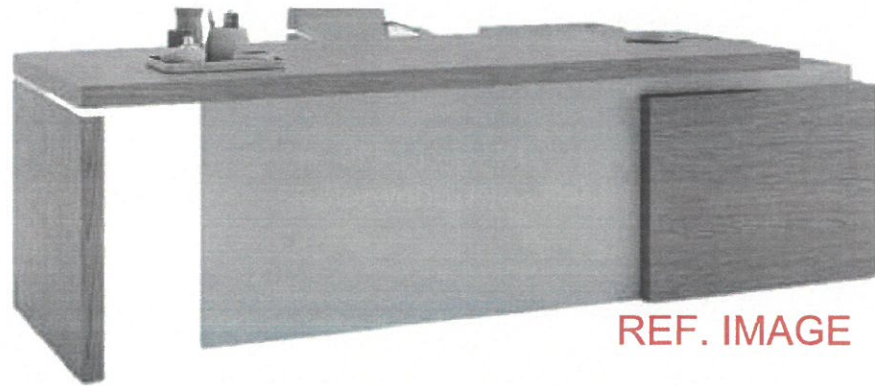
Project No. : ---  
Scale : N/A  
Drawn by : OBJ  
Checked : OBJ  
Cad File : CAD\_FILE

Sheet title  
3rd FLOOR  
Manager Office - 4  
L-Shape Desk  
Floor Plan / Elevation /Sections

Dwg No.	No.
WS-DS-SD-ND-013	SHEET 1

# Manager Office - 3

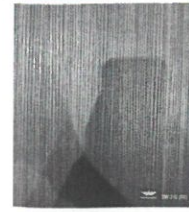
L-Shape Desk  
3rd Floor



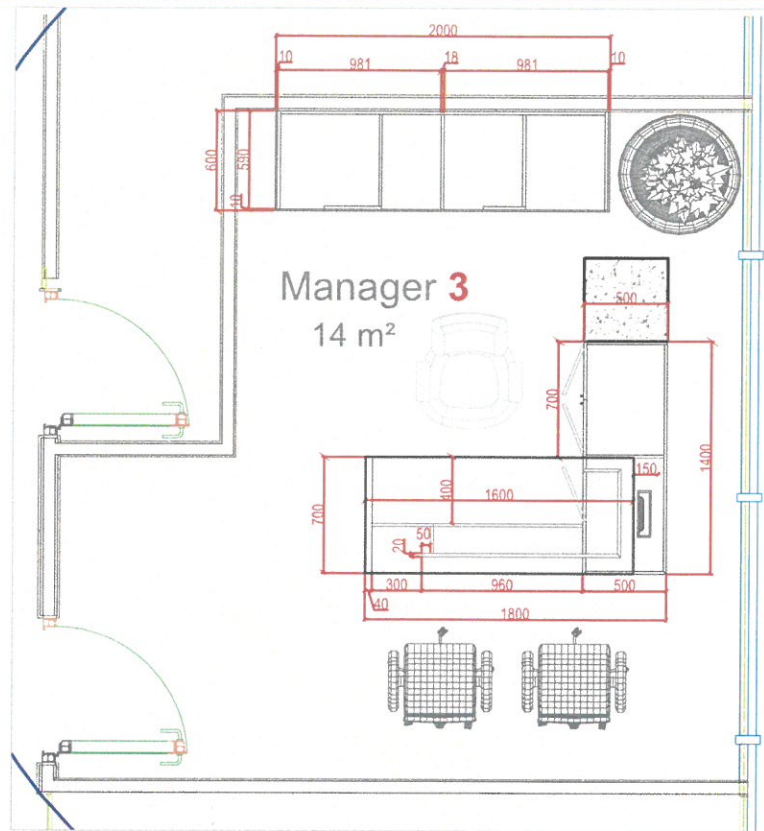
REF. IMAGE

## FINISHES

JN-02  
Starwood 310



JN-11  
Starwood 122



Manager 3  
14 m<sup>2</sup>



www.wood-styles.com

Copyright of designs shown herein is retained by this office. Authority is required for any reproduction. © Copyright Wood-styles Ltd.

Nigeria, Lagos +234 80 9037 9888  
Email: info@wood-styles.com

Project



Owner

Date	Description
DSD-V1-ID-17/11/2024 - REV1	
DSD-V1-ID-27/1/2025 - REV2	

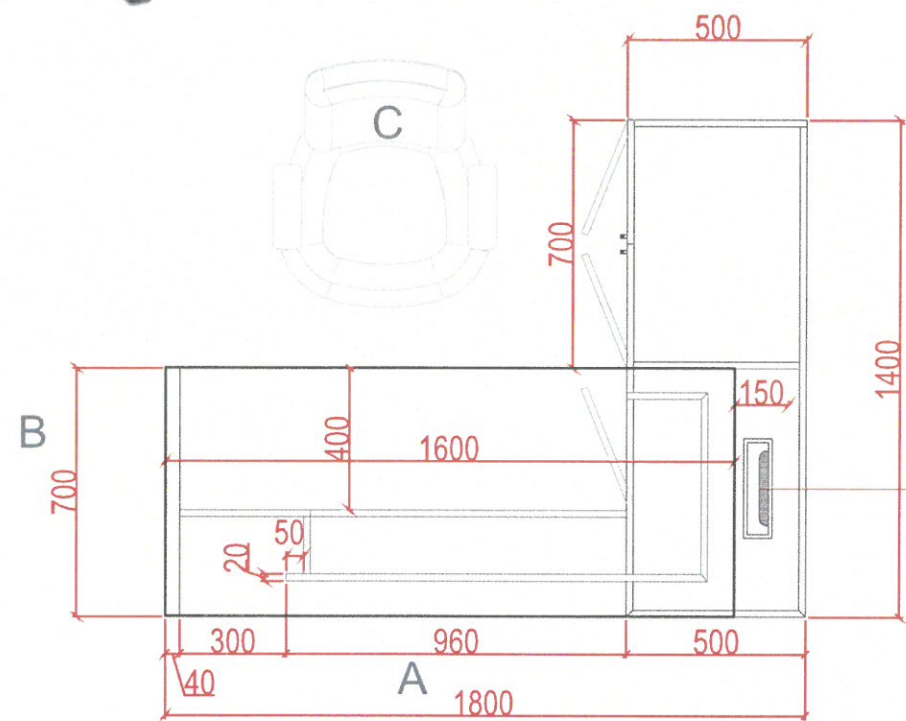


FOR APPROVAL

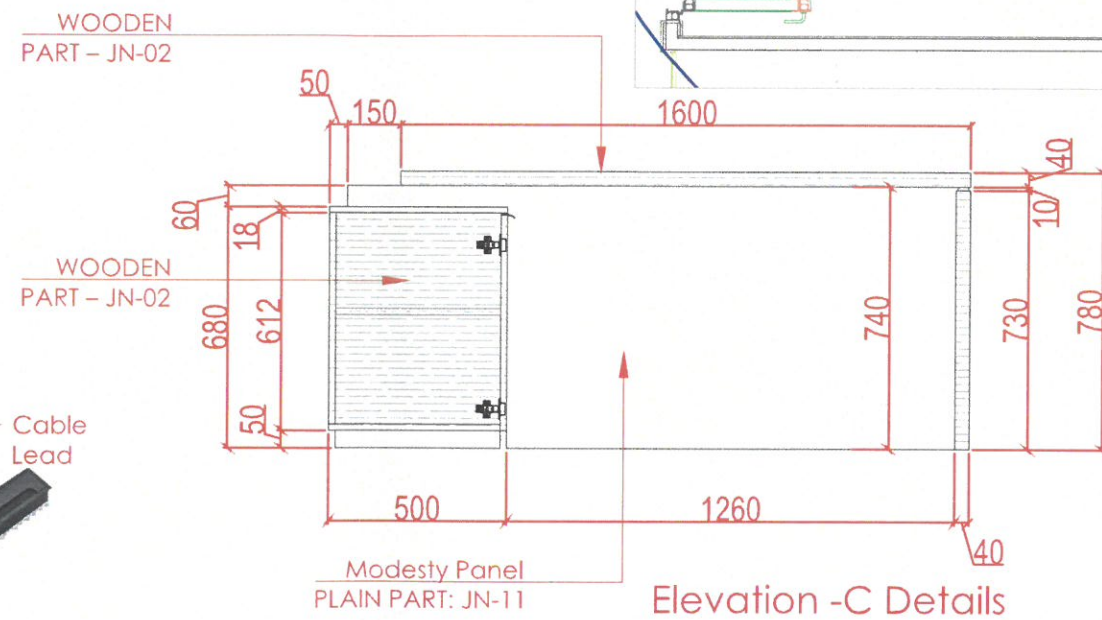
Project No. : ---  
Scale : N/A  
Drawn by : OBJ  
Checked : OBJ  
Cad File : CAD\_FILE

Sheet title  
3rd FLOOR  
Manager Office - 3  
L-Shape Desk  
Floor Plan / Elevation / Sections

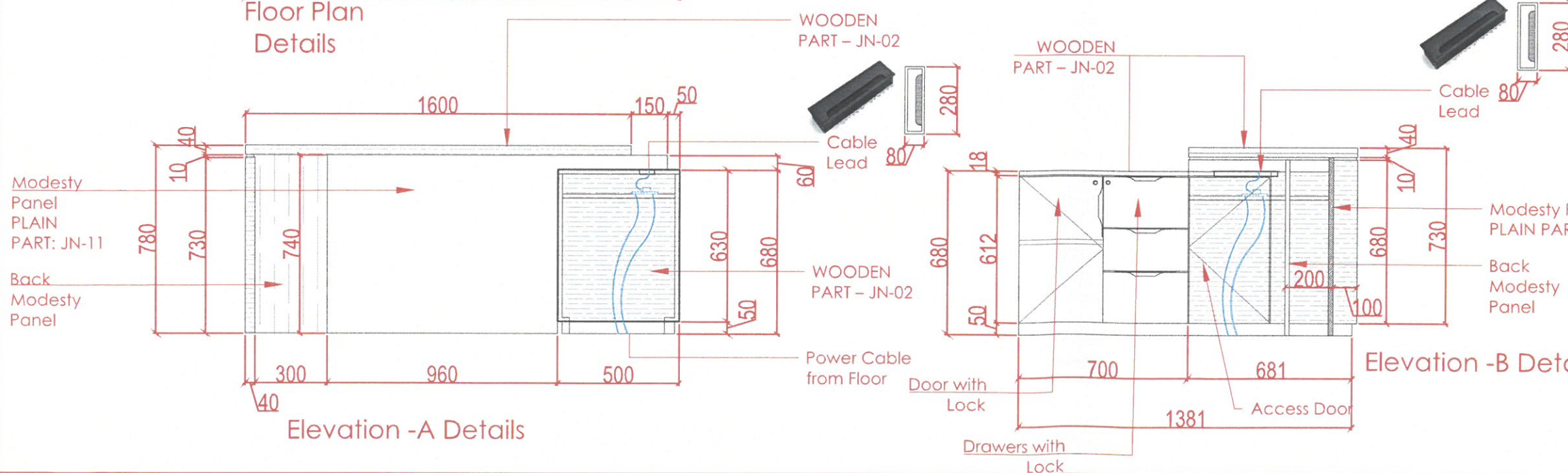
Dwg No.	No.
WS-DS-SD-ND-011	SHEET 1



Floor Plan Details



Elevation -C Details



Elevation -A Details

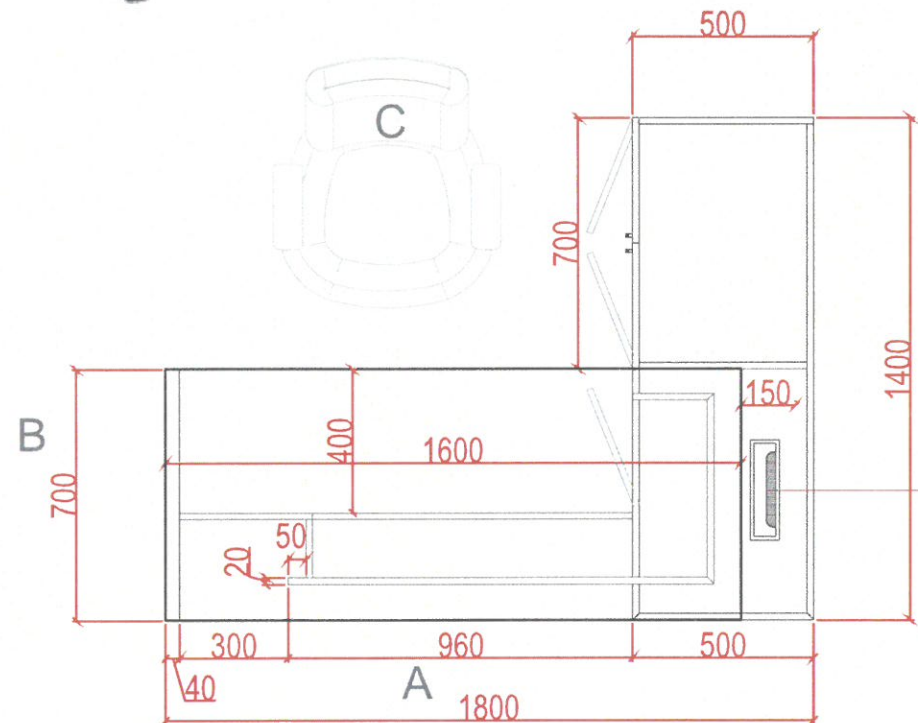
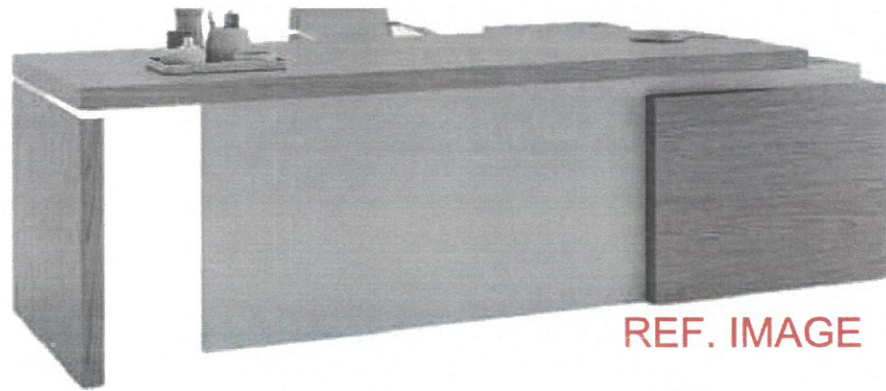
Elevation -B Details



# Manager Office - 2

L-Shape Desk

3rd Floor



WOODEN PART - JN-01

WOODEN PART - JN-02

Cable Lead

Floor Plan Details

WOODEN PART - JN-02

Cable Lead

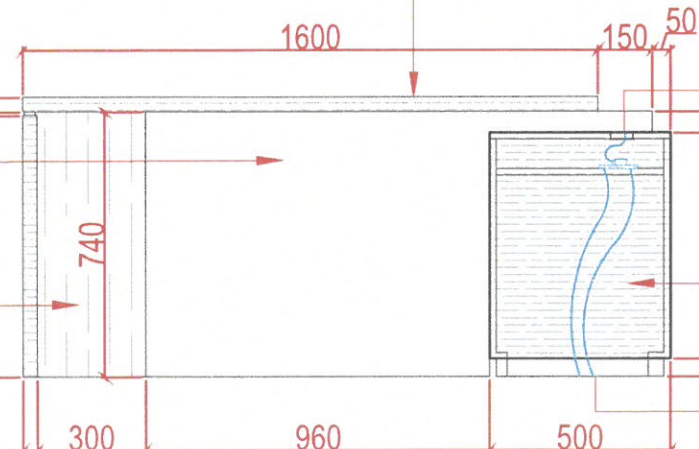
Modesty Panel  
PLAIN  
PART: JN-1

Back Modesty Panel

WOODEN PART - JN-02

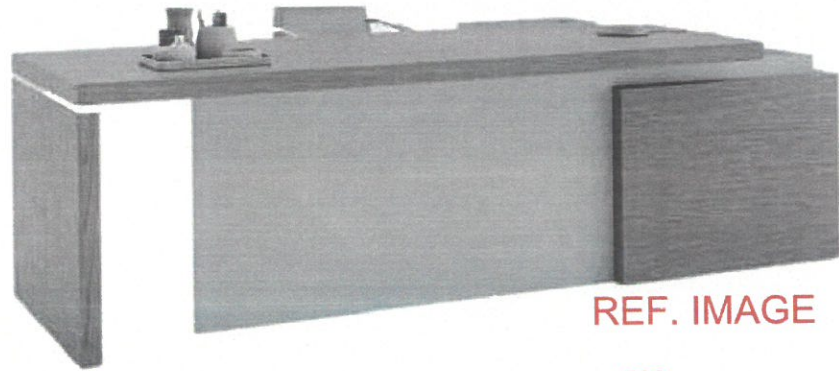
Power Cable from Floor

Elevation -A Details



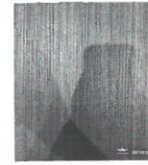
# Manager Office - 1

L-Shape Desk  
3rd Floor



## FINISHES

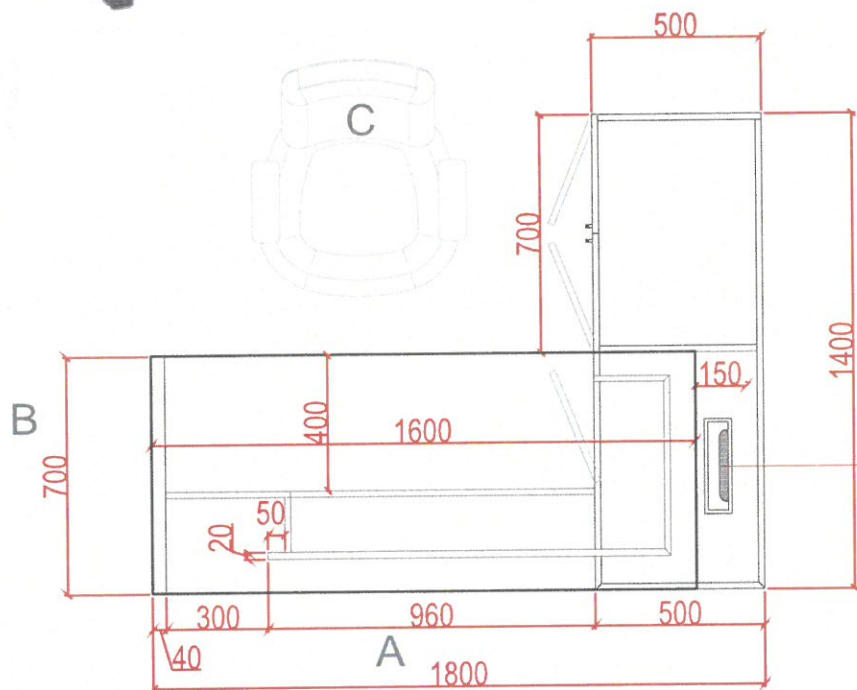
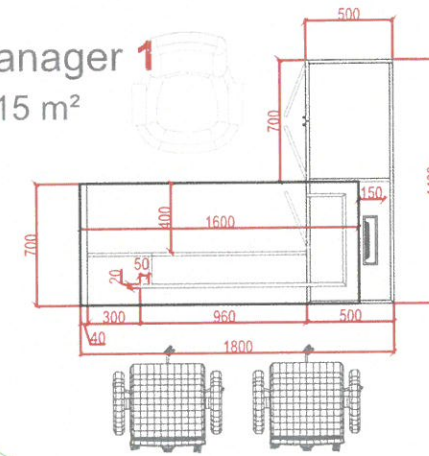
JN-02  
Starwood 310



JN-11  
Starwood 122



Manager 1  
15 m<sup>2</sup>



Floor Plan Details

WOODEN PART - JN-02

WOODEN PART - JN-02

WOODEN PART - JN-02

WOODEN PART - JN-02

Cable Lead

Cable Lead

Cable Lead

Modesty Panel  
PLAIN PART: JN-11

Elevation -C Details

Modesty Panel  
PLAIN PART: JN-11

Back Modesty Panel

WOODEN PART - JN-02

WOODEN PART - JN-02

Power Cable from Floor

Door with Lock

Drawers with Lock

Cable Lead

Modesty Panel  
PLAIN PART: JN-11

Back Modesty Panel

Elevation -B Details

Elevation -A Details



www.wood-styles.com

Copyright of designs shown herein is retained by this office. Authority is required for any reproduction. © Copyright Wood-styles Ltd.

Nigeria, Lagos +234 80 9037 9888  
Email: info@wood-styles.com

Project



Owner

Date	Description
DSD-V1-ID-17/11/2024	- REV1
DSD-V1-ID-27/1/2025	- REV2

FOR APPROVAL

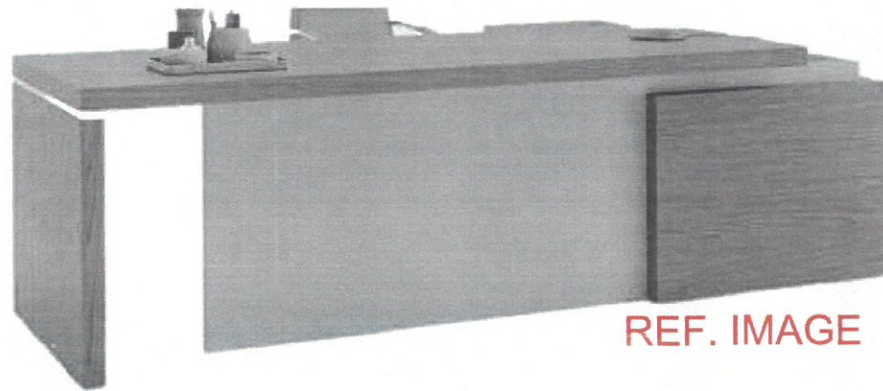
Project No. : ---  
Scale : N/A  
Drawn by : OBJ  
Checked : OBJ  
Cad File : CAD\_FILE

Sheet title  
3rd FLOOR  
Manager Office - 1  
L-Shape Desk  
Floor Plan / Elevation / Sections

Dwg No.	No.
WS-DS-SD-ND-007	SHEET 1

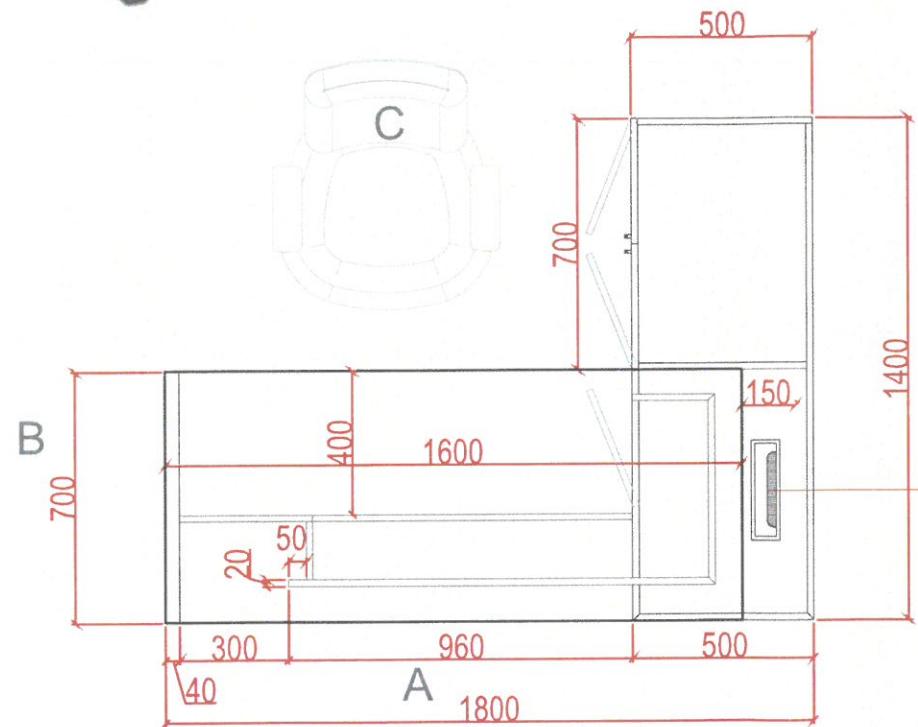
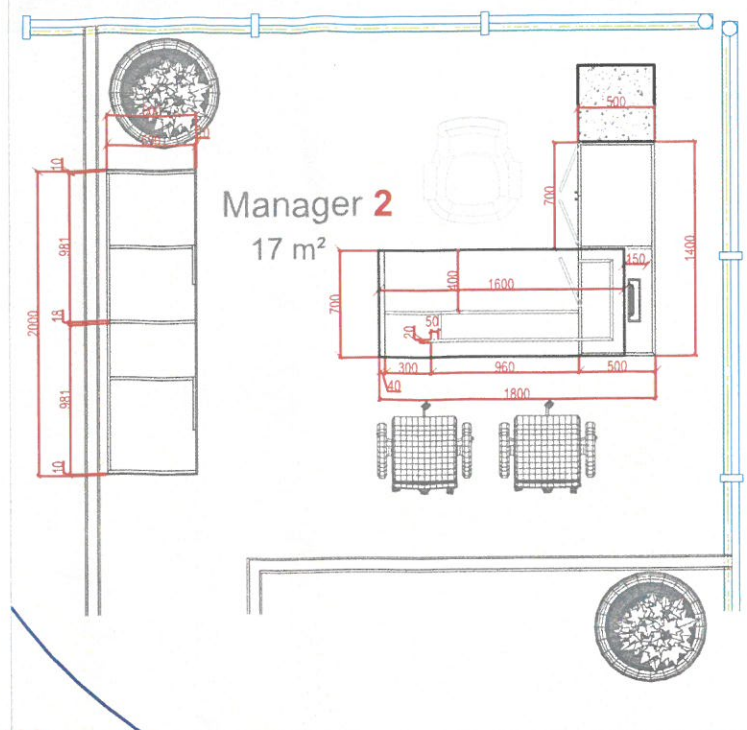
# Manager Office - 2

L-Shape Desk  
3rd Floor

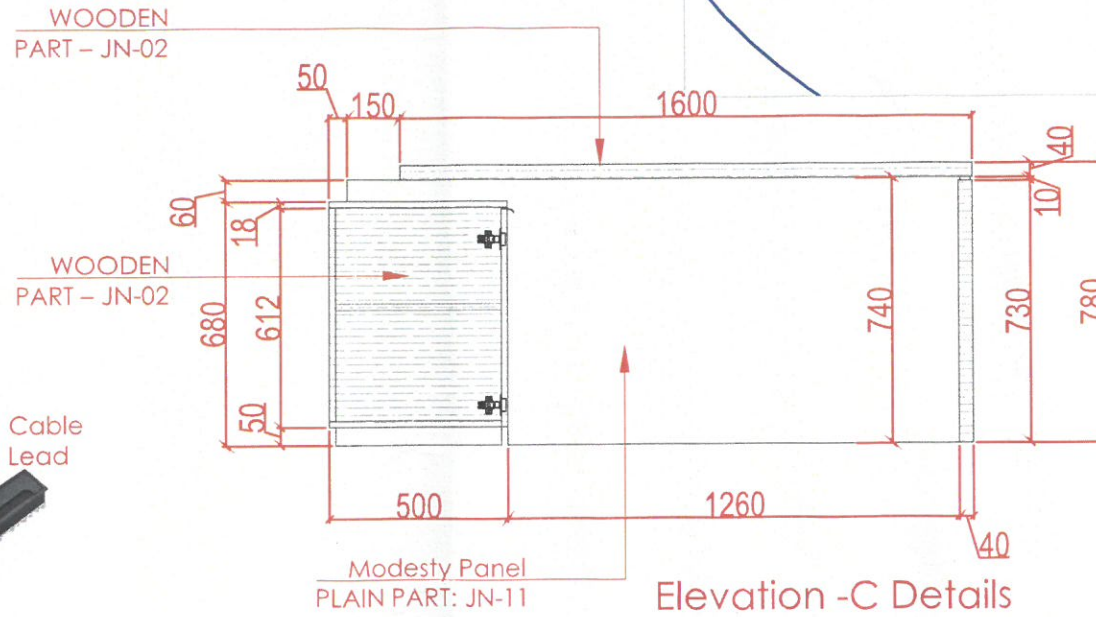


REF. IMAGE

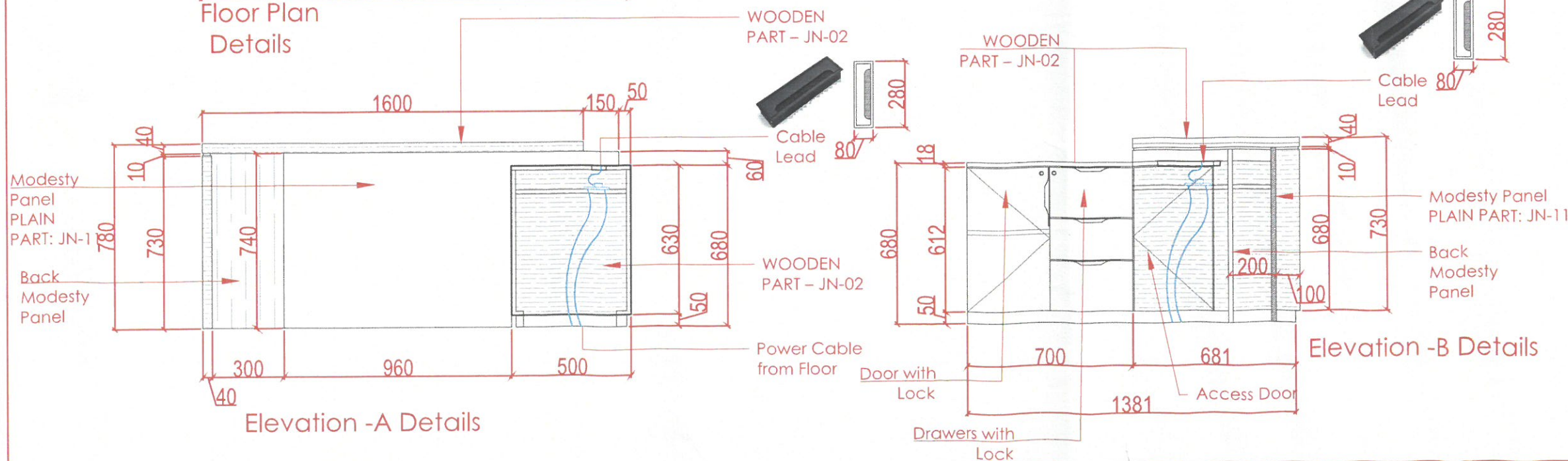
FINISHES	
JN-02 Starwood 310	
JN-11 Starwood 122	



Floor Plan Details



Elevation -C Details



Elevation -A Details

Elevation -B Details



www.wood-styles.com

Copyright of designs shown herein is retained by this office. Authority is required for any reproduction. © Copyright Wood-styles Ltd.

Nigeria, Lagos +234 80 9037 9888

Email: info@wood-styles.com

Project



Owner

Date	Description
DSD-V1-ID-17/11/2024 - REV1	
DSD-V1-ID-27/1/2025 - REV2	

FOR APPROVAL

Project No. : ---  
Scale : N/A  
Drawn by : OBJ  
Checked : OBJ  
Cad File : CAD\_FILE

Sheet title  
3rd FLOOR  
Manager Office - 2  
L-Shape Desk  
Floor Plan / Elevation /Sections

Dwg No.	No.
WS-DS-SD-ND-009	SHEET 1